

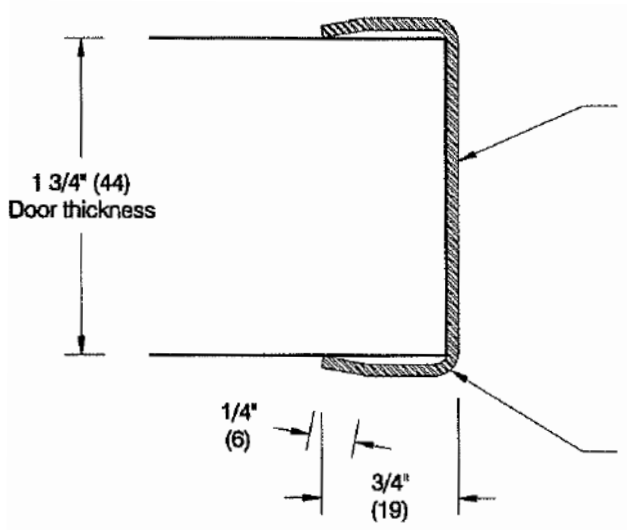
PDES-193 Door Edge Guard

Features:

- Custom lengths, angles, and wing sizes are available
- Type 304 stainless available

Mounting Options:

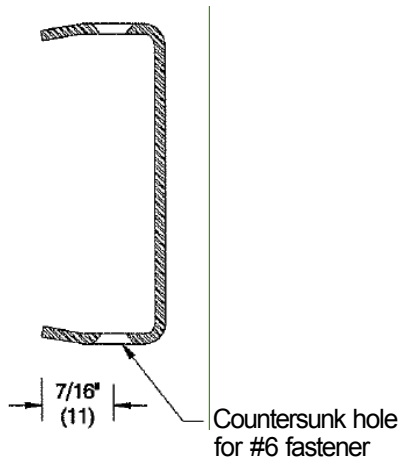
- Standard mounting
- Adhesive: ADH-50 adhesive supplied separately
- Optional mounting
- Drilled: Countersunk holes for #6 x 3/4" (19) oval head sheet metal screw supplied separately as required



Formed stainless steel

- type 430
- #4 satin finish
- 16 gauge 0.059" (1.5)

1 3/4" (44)
Door thickness



Optional Drilling:

- Standard spacing: 3" (76) from each end and spaced evenly not to exceed 36" (914) oc

