

ProTek Systems, Inc.

PROTEK SYSTEMS, INC.
1250 WALLACE DR UNIT B
DELRAY BEACH, FL 33444
TELEPHONE: 800-598-2153
FAX: 561-395-4771
SALES@PROTEKMAIL.COM

WPSP-12 PATTERNED STAINLESS STEEL WALL SYSTEM

FEATURES:

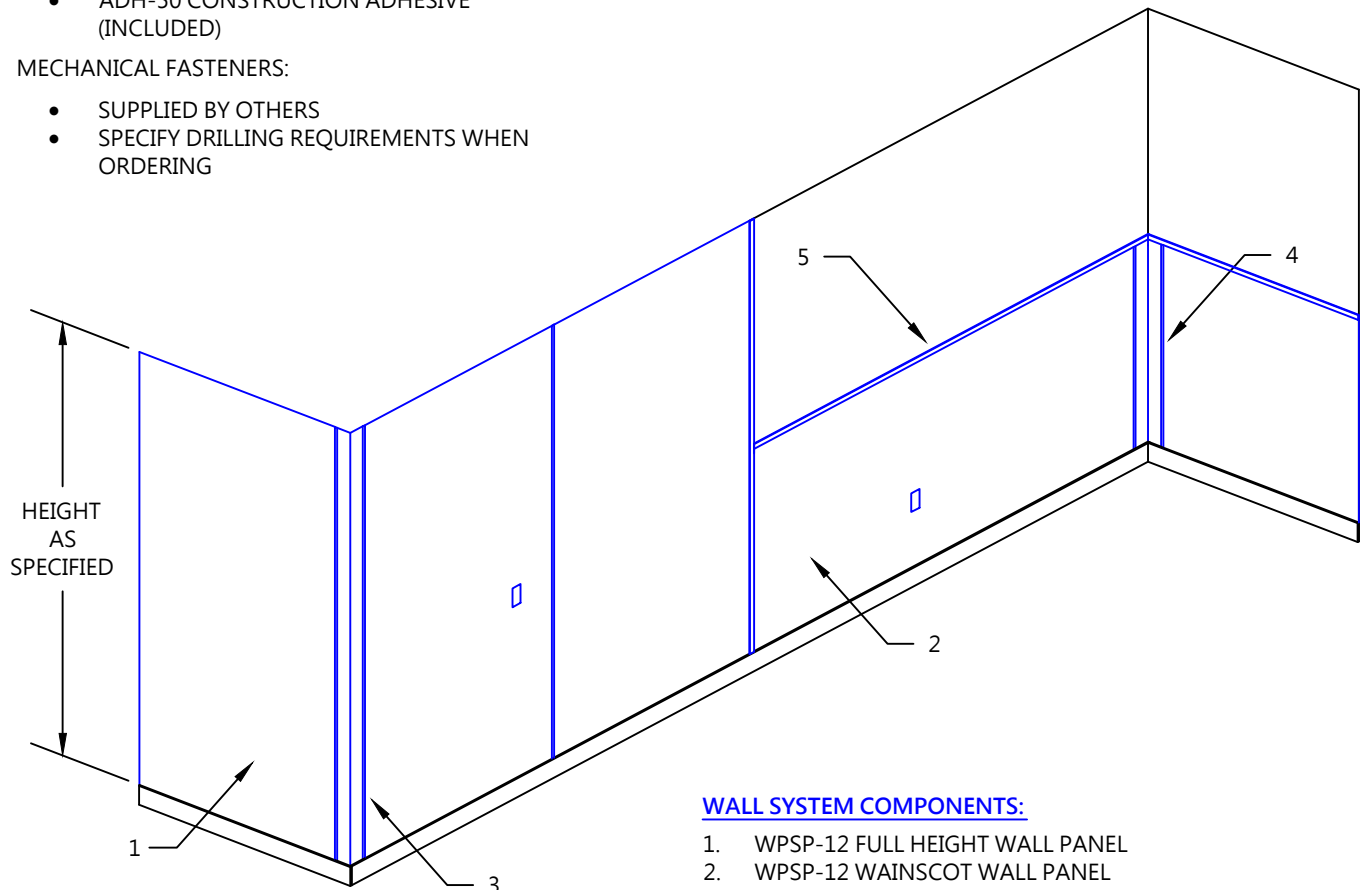
- TYPE 304 #4 SATIN PATTERNED STAINLESS STEEL
- WAINSCOT OR FULL HEIGHT INSTALLATION
- OVERLAPPING SEAMS WITH 1/2" OFFSET CONSTRUCTION
- CUSTOM HEIGHTS AND ANGLES AVAILABLE
- OTHER GRADES AND FINISHES AVAILABLE

TYPICAL WALL PANEL SIZES:

- 36" X 96"
- 36" X 120"
- 36" X 144"
- 48" X 96"
- 48" X 120"
- 48" X 144"

MOUNTING OPTIONS:

- ADHESIVE:
 - ADH-50 CONSTRUCTION ADHESIVE (INCLUDED)
- MECHANICAL FASTENERS:
 - SUPPLIED BY OTHERS
 - SPECIFY DRILLING REQUIREMENTS WHEN ORDERING



WALL SYSTEM COMPONENTS:

1. WPSP-12 FULL HEIGHT WALL PANEL
2. WPSP-12 WAINSCOT WALL PANEL
3. WPSP-12-OCG-50 OUTSIDE CORNER
4. WPSP-12-ICG-50 INSIDE CORNER
5. WPS-12-EB-1 EDGE BAR

CUSTOMER:

PROJECT:

ARCHITECT:

SALES REP:

WPSP-12

ProTek Systems, Inc.

PROTEK SYSTEMS, INC.
 1250 WALLACE DR UNIT B
 DELRAY BEACH, FL 33444
 TELEPHONE: 800-598-2153
 FAX: 561-395-4771
 SALES@PROTEKMAIL.COM

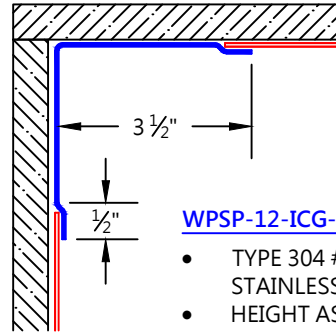
WPSP-12 PATTERNED STAINLESS STEEL WALL SYSTEM

FEATURES:

- TYPE 304 #4 SATIN PATTERNED STAINLESS STEEL
- WAINSCOT OR FULL HEIGHT INSTALLATION
- OVERLAPPING SEAMS WITH 1/2" OFFSET CONSTRUCTION
- CUSTOM HEIGHTS AND ANGLES AVAILABLE
- OTHER GRADES AND FINISHES AVAILABLE

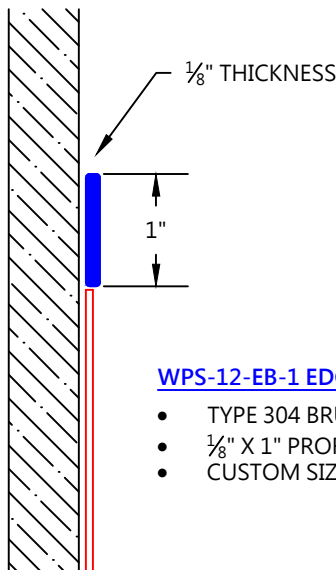
MOUNTING OPTIONS:

- ADHESIVE:
 - ADH-50 CONSTRUCTION ADHESIVE (INCLUDED)
- MECHANICAL FASTENERS:
 - SUPPLIED BY OTHERS
 - SPECIFY DRILLING REQUIREMENTS WHEN ORDERING



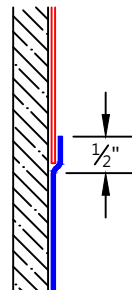
WPSP-12-ICG-50 INSIDE CORNER:

- TYPE 304 #4 SATIN PATTERNED STAINLESS STEEL
- HEIGHT AS SPECIFIED
- 3 1/2" WING SIZE
- CUSTOM WINGS SIZES AVAILABLE
- CUSTOM ANGLES AVAILABLE



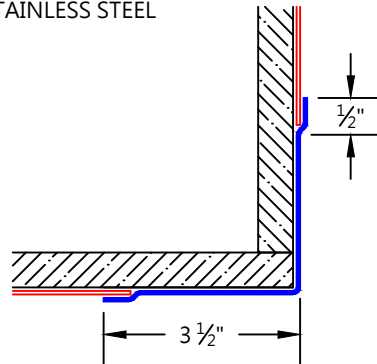
WPS-12-EB-1 EDGE BAR:

- TYPE 304 BRUSHED FINISH STAINLESS STEEL
- 1/8" X 1" PROFILE
- CUSTOM SIZES AVAILABLE



OVERLAPPING SEAMS:

- 1/2" OFFSET CONSTRUCTION
- ON (1) VERTICAL EDGE OF WAINSCOT OR FULL HEIGHT WALL PANEL



WPSP-12-OCG-50 OUTSIDE CORNER:

- TYPE 304 #4 SATIN PATTERNED STAINLESS STEEL
- HEIGHT AS SPECIFIED
- 3 1/2" WING SIZE
- CUSTOM WINGS SIZES AVAILABLE
- CUSTOM ANGLES AVAILABLE

CUSTOMER:

PROJECT:

ARCHITECT:

SALES REP:

WPSP-12