

MD-1 Marine and Industrial Fender

Features:

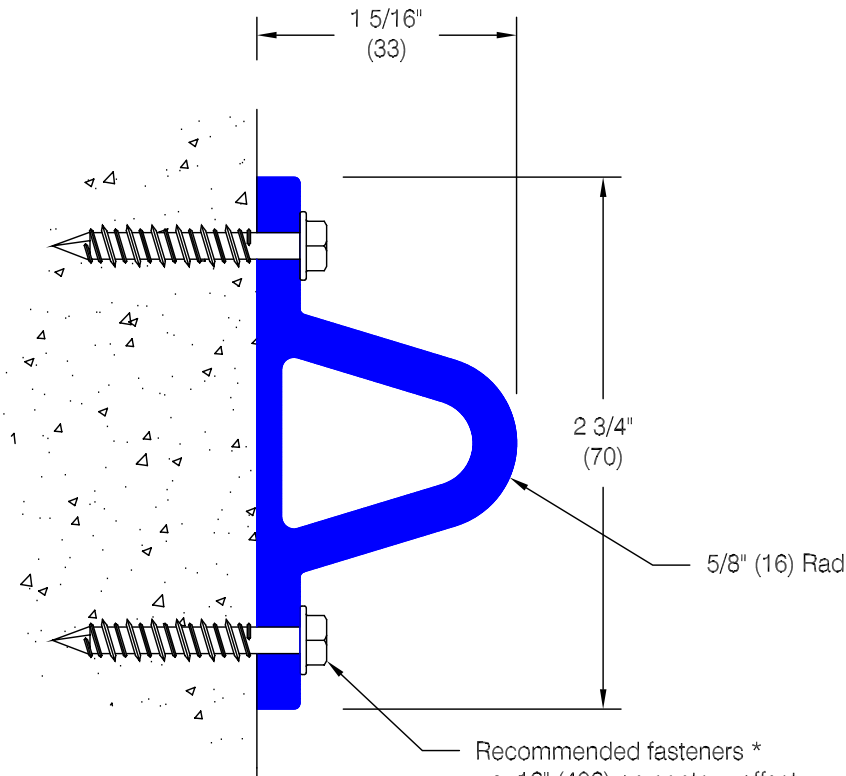
- Extruded flexible vinyl to RMA tolerances
- Durometer: (ASTM D-2240) 80 ±3, Shore A
- Tensile strength: (ASTM D-412) 2,205 PSI
- Elongation: (ASTM D-412) 360%
- Specific gravity: (ASTM D-792) 137 ±0.02
229 lbs. / in. min.
- Weight: 1.8 lbs. / lf.
- Stock length: 12'-0" (3658)

Optional Features:

- Urethane end cap (ECMD-1) black only

Standard Colors:

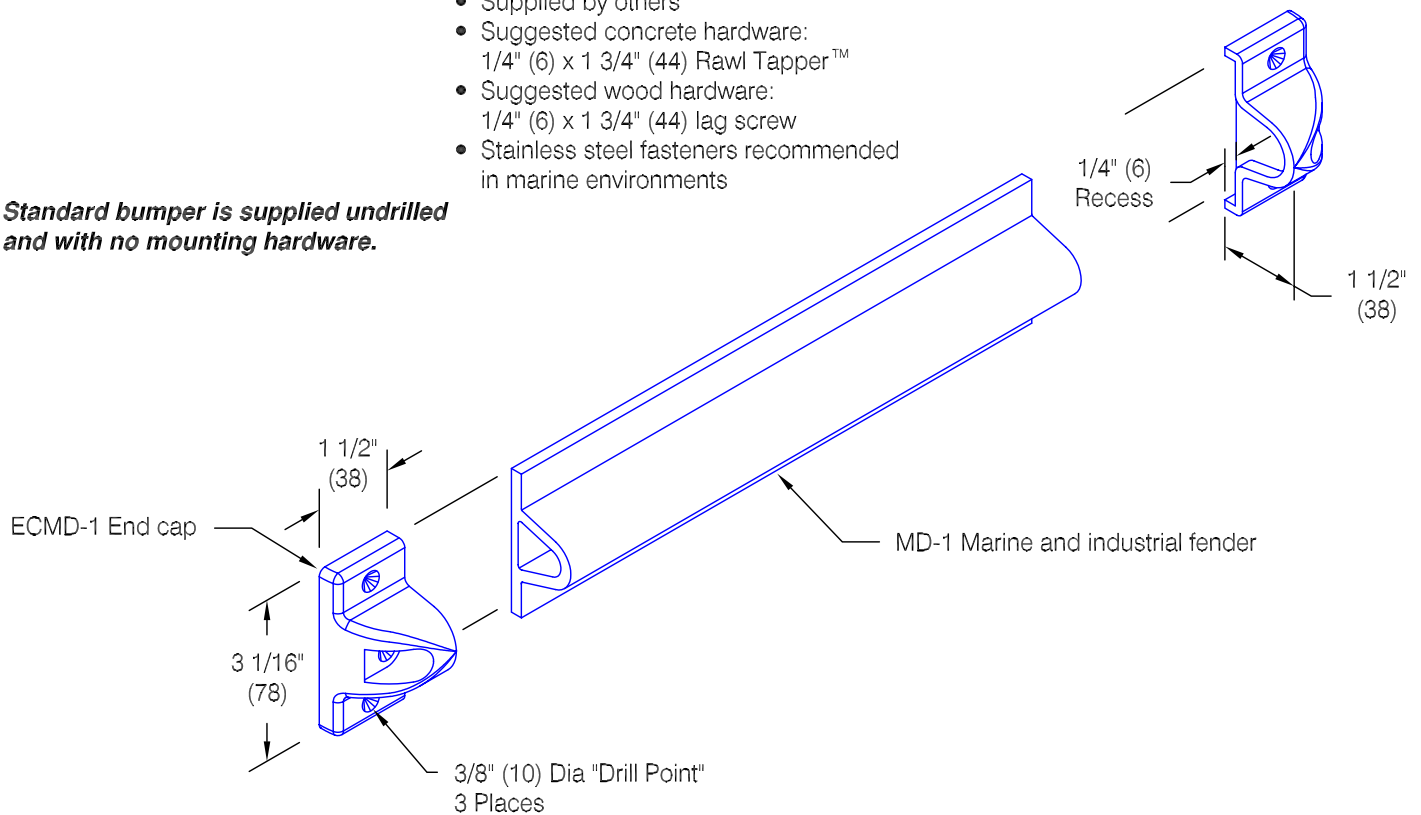
- Black #1
- Tan #3
- Brown #4
- Gray #5
- White #10
- Safety yellow #70



Recommended fasteners *

- 16" (406) on center - offset
- Supplied by others
- Suggested concrete hardware:
1/4" (6) x 1 3/4" (44) Rawl Tapper™
- Suggested wood hardware:
1/4" (6) x 1 3/4" (44) lag screw
- Stainless steel fasteners recommended in marine environments

* Standard bumper is supplied undrilled and with no mounting hardware.



Customer :	Project :	CD.112.0c
Architect :	Sales Rep :	