

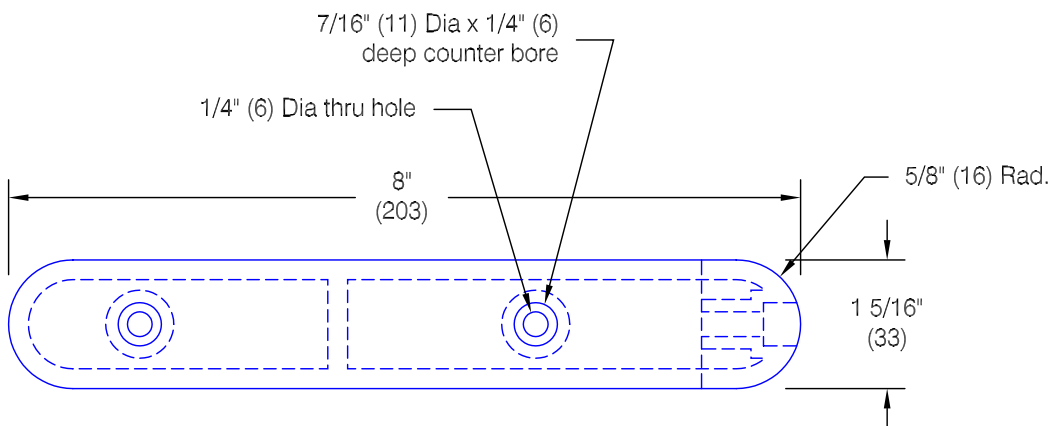
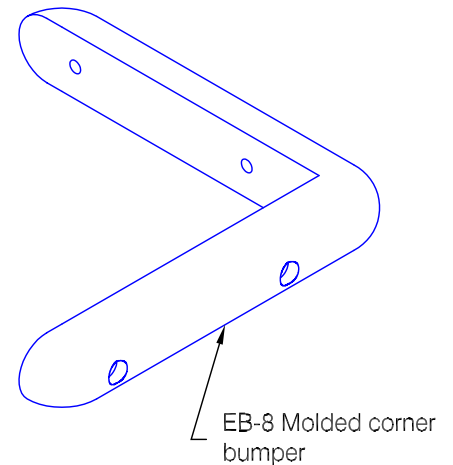
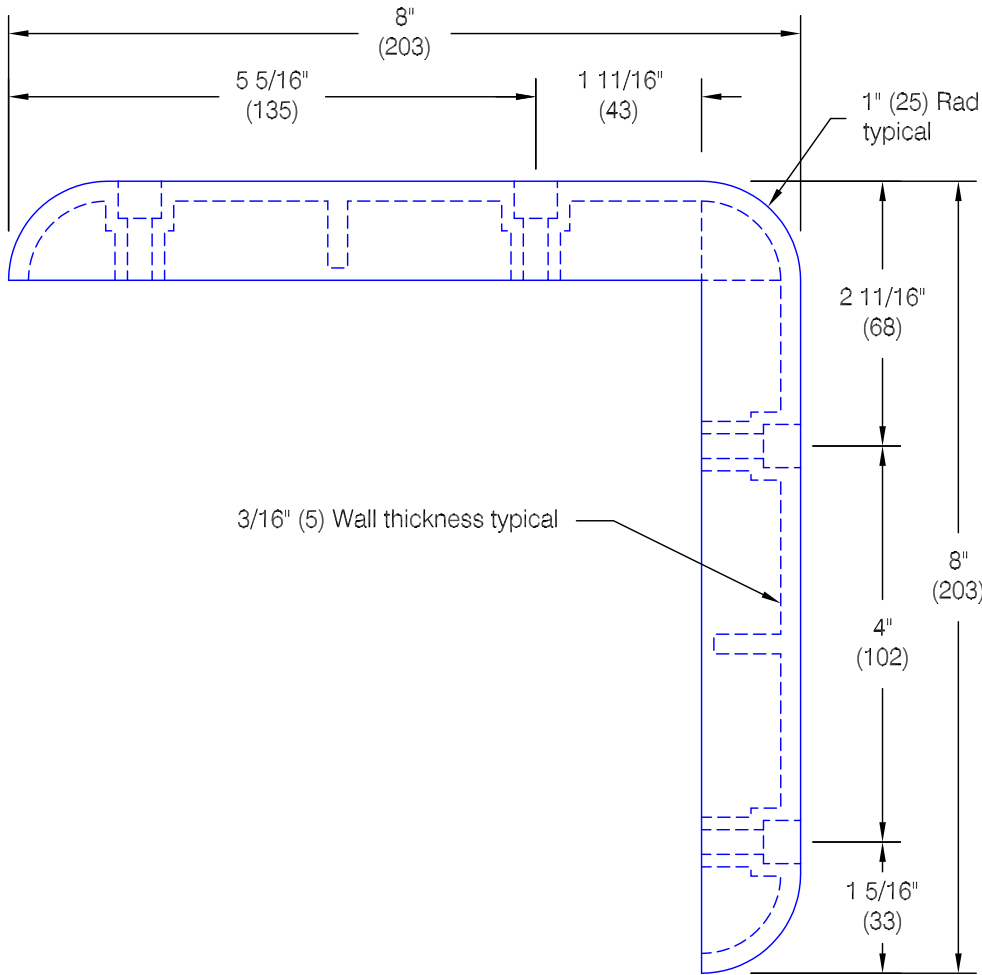
## EB-8 Molded Corner Bumper

### Features:

- Molded flexible vinyl
- Durometer: (ASTM D-2240) 80 ±3 Shore A
- Tensile strength: (ASTM D-412) 2025 lbs / sq in

### Finishes:

- Manufacturer's standard colors
- Custom colors available



Customer :	Project :	CD.110.0a
Architect :	Sales Rep :	