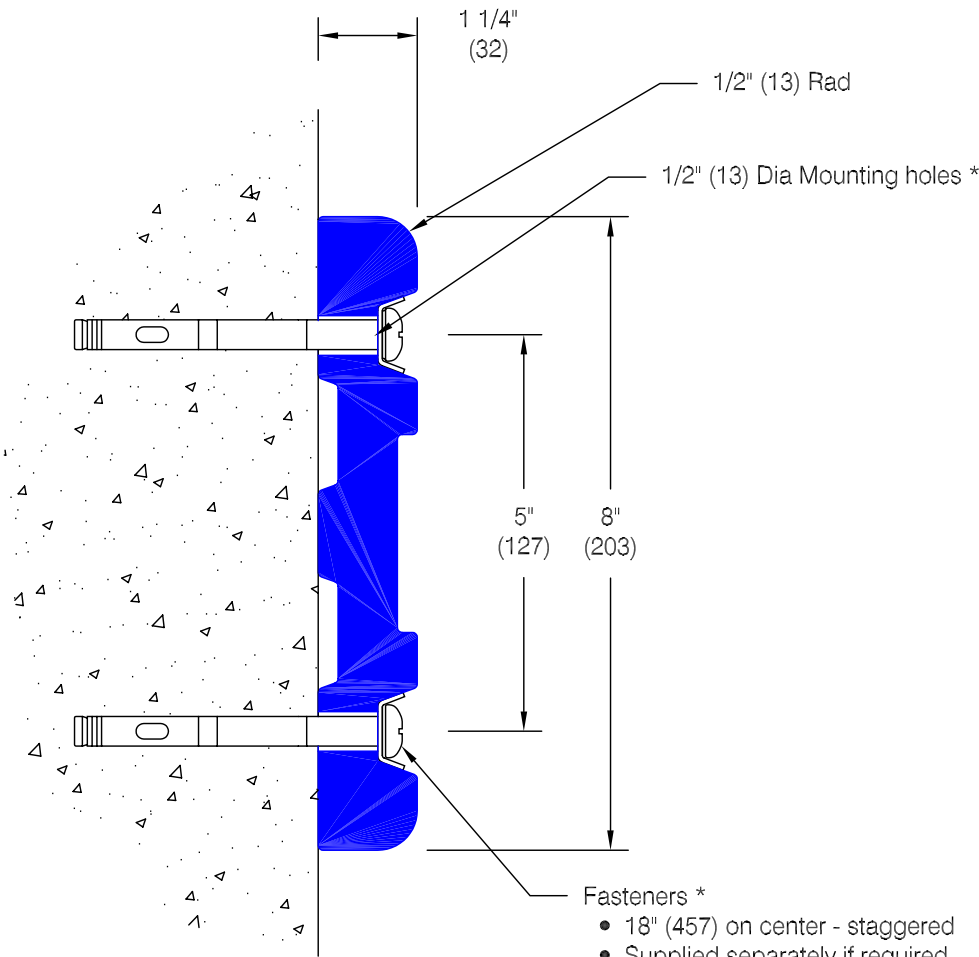


E-2 Molded Bumper



Features:

- Molded polyurethane
- Durometer: (ASTM D-412) 70 ±5 shore A
- Tensile strength PSI: (ASTM D-412) 592 min.
- Elongation: (ASTM D-412) 61% min.
- Tear strength: (ASTM D-624) 166 lbs./in. min.
- Stock length: 10'-0" (3048)

Optional Features:

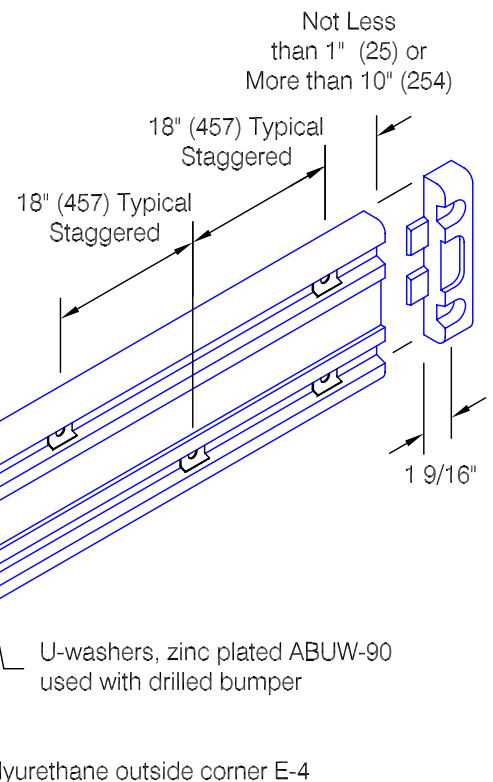
- Drilled for hardware: Approximately 1" (25)-10" (254) in from each end, staggered 18" (457) on center both grooves (Varies as restricted by length)
- Custom drilling available

Standard Color:

- Charcoal #38

* **Standard bumper is supplied undrilled and with no mounting hardware. Hole spacing shown for bumpers 56" (1422) and longer. Contact factory for hole spacing on lengths shorter than 56" (1422).**

- Fasteners *
- 18" (457) on center - staggered
 - Supplied separately if required
 - Suggested concrete hardware: 3/8" (10) x 3 3/4" (95) Lok bolt ABLB-8 with U-washer ABUW-90



Customer :	Project :	CD.105.0c
Architect :	Sales Rep :	