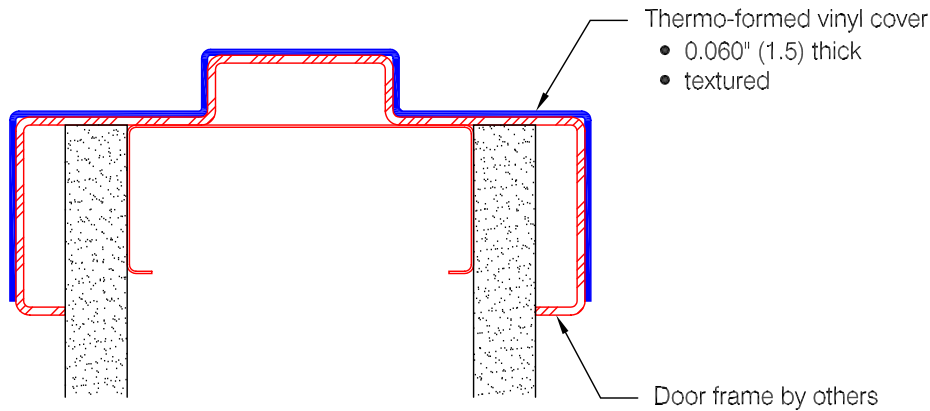


DFC-1 Door Frame Guard



Features:

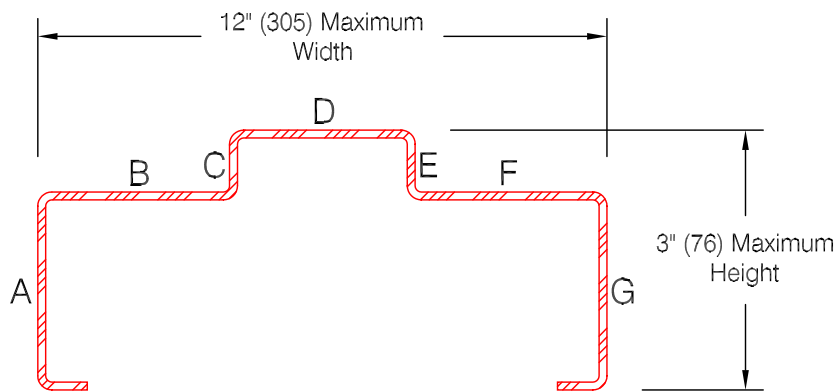
- Class A fire rating
- NFPA-252 (UL10b) approved for use on 90 minute wood and 180 minute steel fire rated door assemblies
- Optional hospital stops available

Finishes:

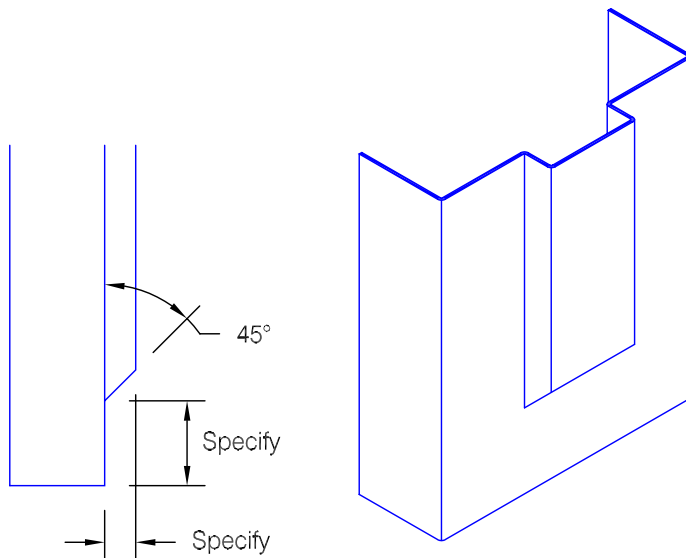
- Manufacturer's standard colors
- Custom colors available

Mounting Options:

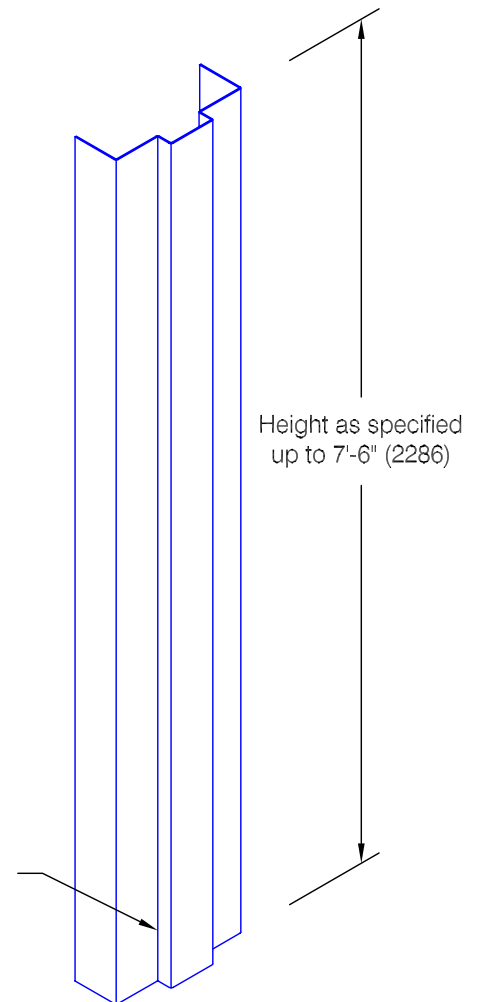
- ADH-30 adhesive supplied separately



Frame Dimensioning Detail



Optional Hospital Stop



*Maximum Length: 7'-5" (2261)

Customer :	Project :	WD.133.0b
Architect :	Sales Rep :	