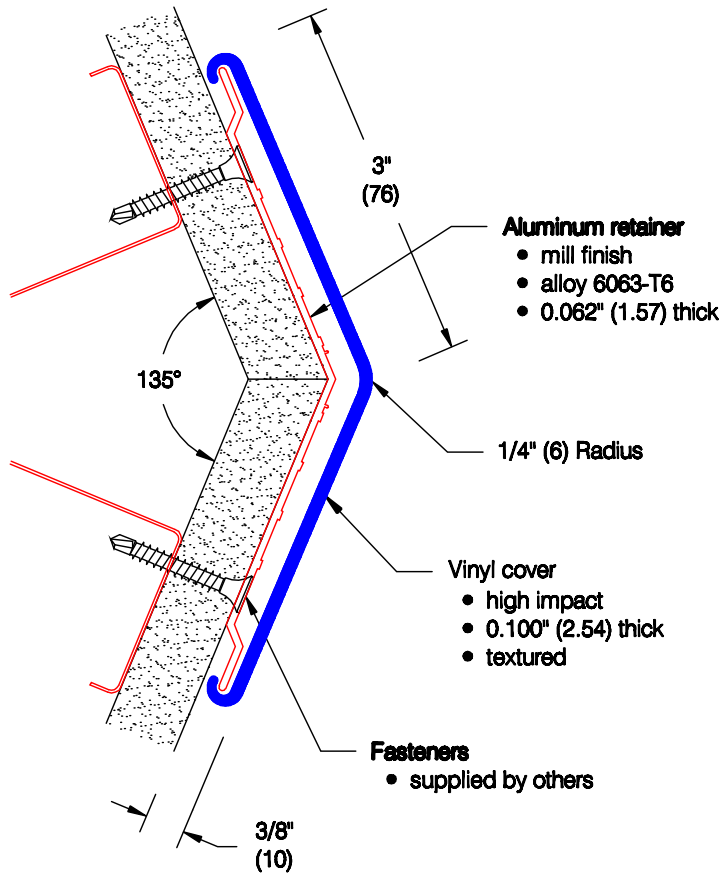


CG-135 Corner Guard

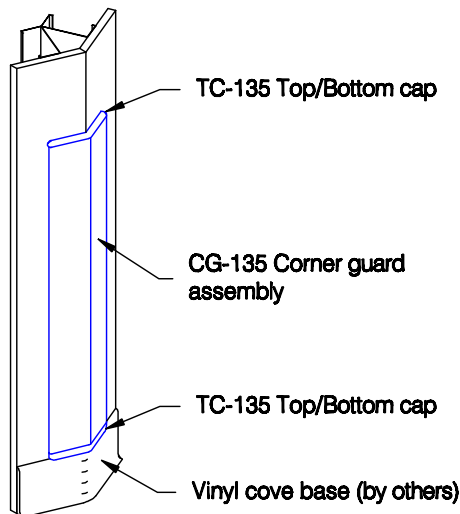


Features:

- Class A fire rating
- "Surface Mount" installation follows completion of drywall mounting
- Stock lengths: 4'-0" (1219), 8'-0" (2438), 9'-0" (2743), 1'-0" (3048), and 12'-0" (3658)
- Custom cut lengths available
- Standard with textured top and bottom closure caps

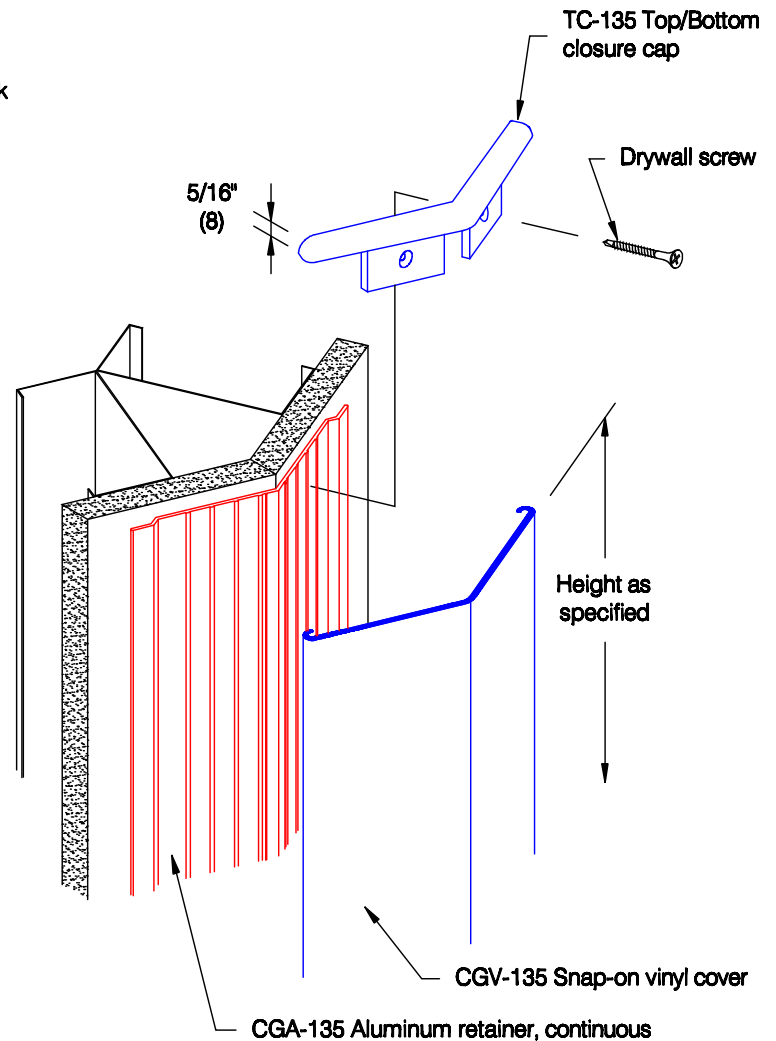
Finishes:

- Vinyl cover (textured)**
- Manufacturer's standard colors
 - Custom colors available
- Aluminum retainer**
- Mill finish #405



Application Diagram

* Partial height installation with top and bottom caps shown. Full height installations may not require top or bottom cap.



Customer :	Project :	WD.107.0c
Architect :	Sales Rep :	