

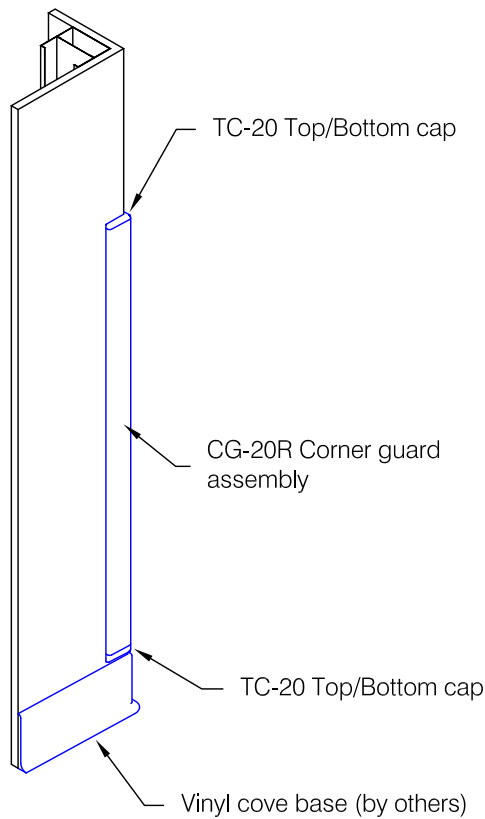
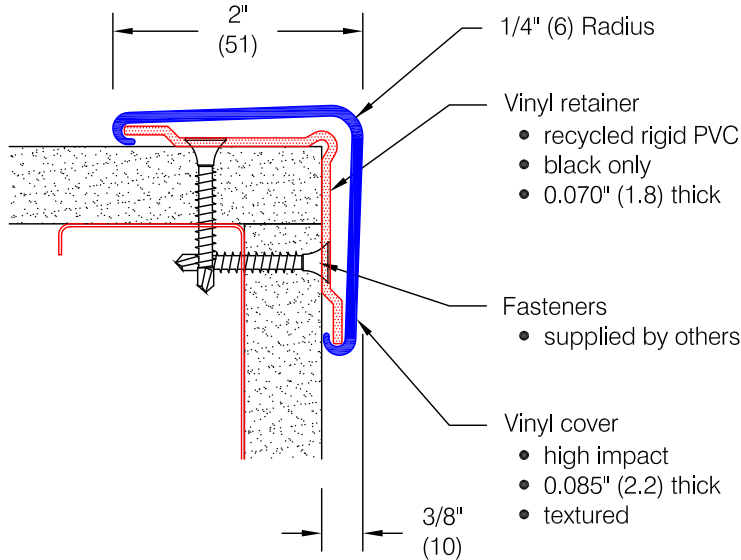
CG-20R Corner Guard

Features:

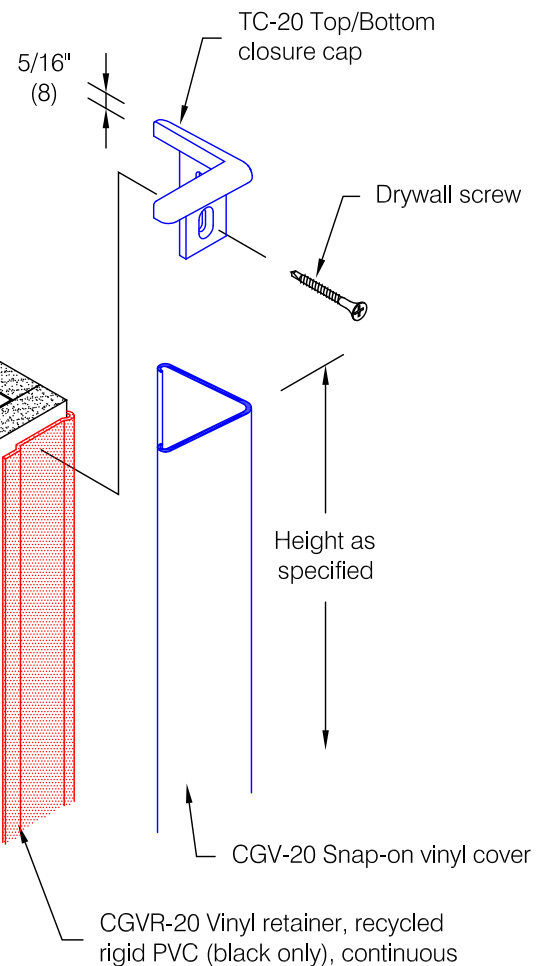
- Class A fire rating
- "Surface Mount" installation follows completion of drywall mounting
- Stock lengths: 4'-0" (1219), 8'-0" (2438), 9'-0" (2743), 10'-0" (3048), and 12'-0" (3658)
- Custom cut lengths available
- Standard with textured top and bottom closure caps

Finishes:

- Vinyl cover (textured)
 - Manufacturer's standard colors
 - Custom colors available
- Vinyl retainer
 - black only (recycled rigid PVC)



Application Diagram



*** Partial height installation with top and bottom caps shown. Full height installations may not require top or bottom cap.**

Customer :	Project :	WD.105.1b
Architect :	Sales Rep :	