

CG-14 Corner Guard

Features:

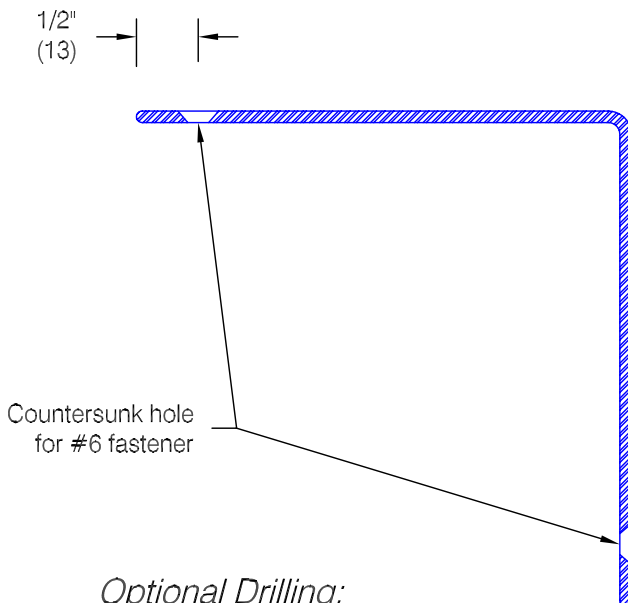
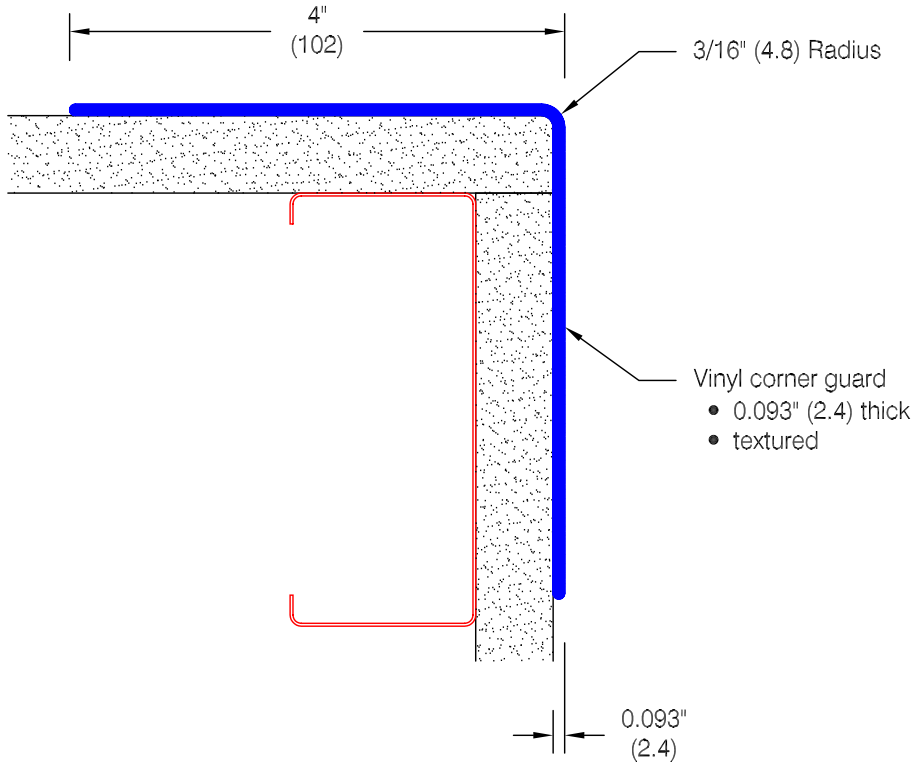
- Class A fire rating
- Stock lengths:
 4'-0" (1219), 8'-0" (2438) & 12'-0" (3658)

Finishes:

- Manufacturer's standard colors
- Custom colors available

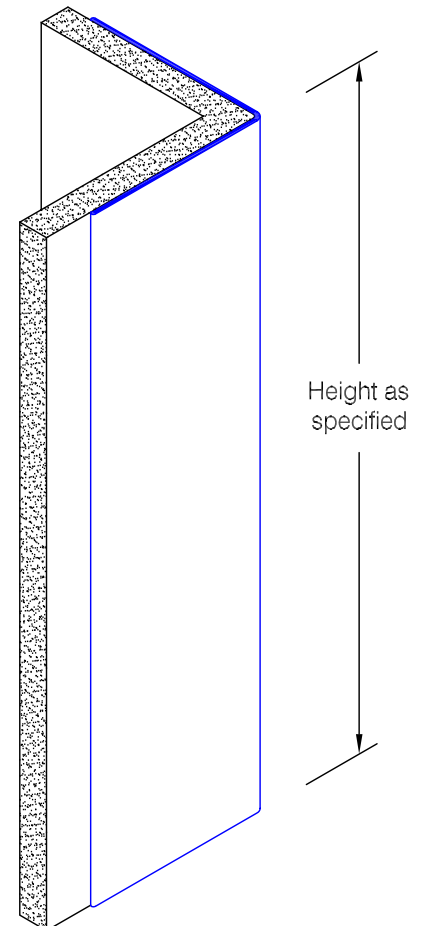
Mounting Options:

- Adhesive
 ADH-30 adhesive supplied separately
- Drilled
 Countersunk holes for #6 fastener
 ABSS-134 #6 x 1 1/2" oval head
 sheet metal screw supplied
 separately as required
- Taped
 ADH-4042 double sided adhesive
 tape factory applied to corner guard



Optional Drilling:

- Standard spacing: 1" (25) from each end and spaced evenly not to exceed 36" (914) oc



Customer :

Project :

Architect :

Sales Rep :

WD.112.0a