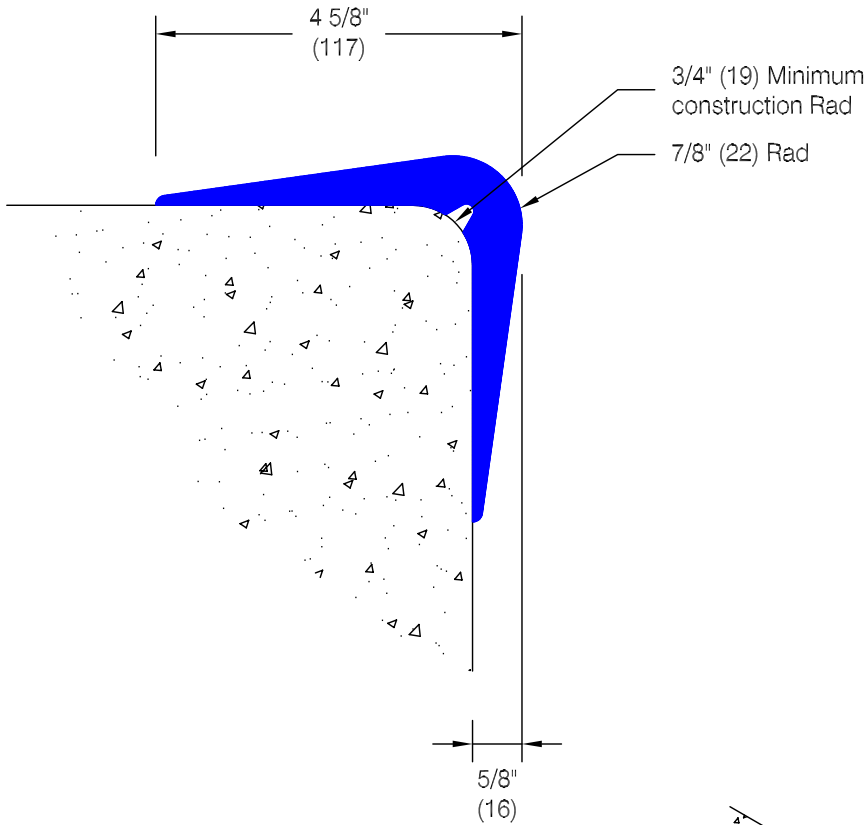


CG-2 Heavy Duty Corner Guard



Features:

- Extruded SBR rubber to RMA tolerances
- Weight: 2.2 lbs. / lf.
- Stock lengths: 4'-0" (1219), 6'-0" (1829), 8'-0" (2438), 10'-0" (3048)

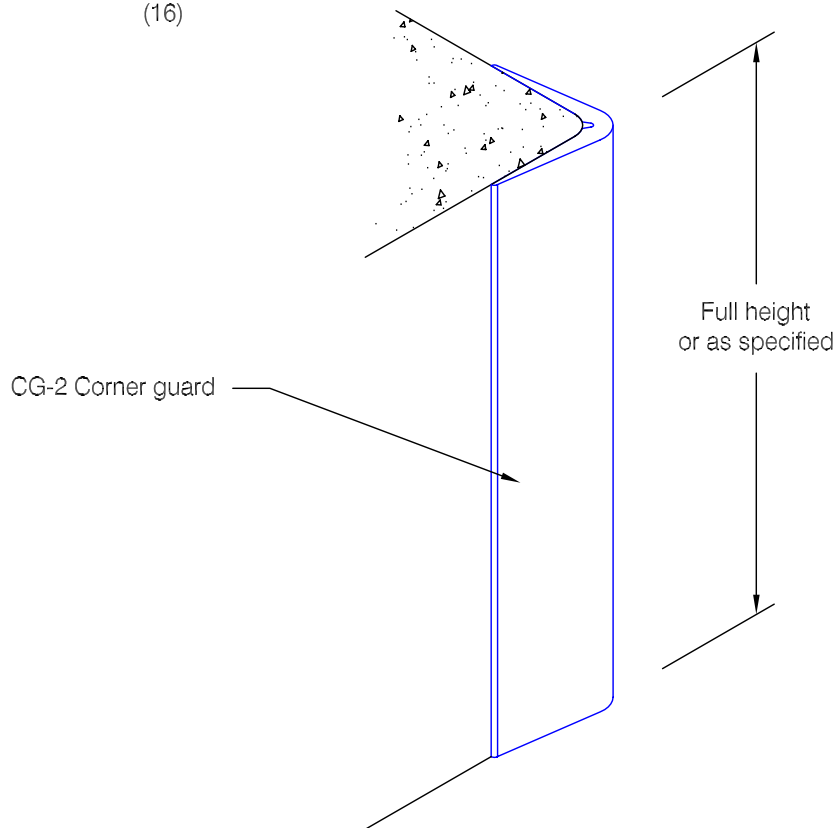
Mounting Options:

- Suggested mounting Adhesive: Construction mastic ADH-4323
- Mechanical hardware: 3 per 48" (1219) side
 - Concrete: 3/8" (10) x 2 1/2" (64) bolt & expansion shield
 - Wood: lag-screws

Standard Color:

- Black #1

*** Standard corner guard is supplied undrilled and with no mounting adhesive or hardware.**



Customer :

Project :

Architect :

Sales Rep :

CD.100.0a