

# ProTek Systems, Inc.

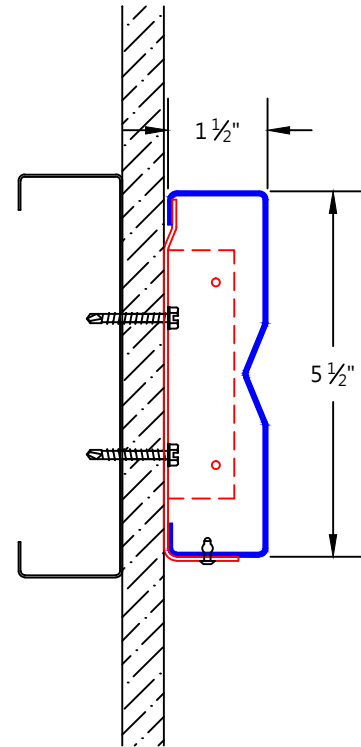
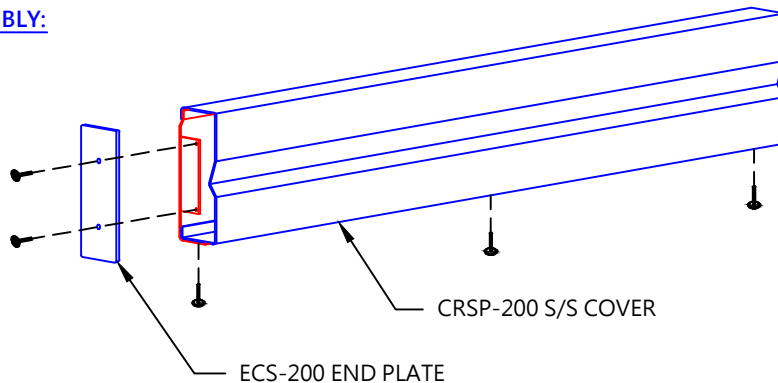
PROTEK SYSTEMS, INC.  
 1250 WALLACE DR UNIT B  
 DELRAY BEACH, FL 33444  
 TELEPHONE: 800-598-2153  
 FAX: 561-395-4771  
 SALES@PROTEKMAIL.COM

## CRSP-200 PATTERNED STAINLESS STEEL WALL GUARD

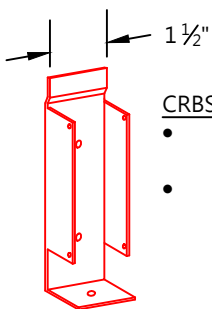
### FEATURES:

- COVER: TYPE 304 PATTERNED STAINLESS STEEL
- MANUFACTURER'S STANDARD STAINLESS STEEL PATTERNS
- END PLATES: 11 GAUGE TYPE 304 #4 SATIN STAINLESS STEEL
- BRACKETS: 16 GAUGE TYPE 304 #4 SATIN STAINLESS STEEL
- STOCK LENGTHS: 8FT OR 10FT
- ALL RUNS TERMINATE WITH END PLATES
- END PLATES FASTEN DIRECTLY TO WALL BRACKETS
- CUSTOM LENGTHS AND HEIGHTS AVAILABLE
- OTHER FINISHES AVAILABLE
- WALL FASTENERS BY OTHERS

### ASSEMBLY:

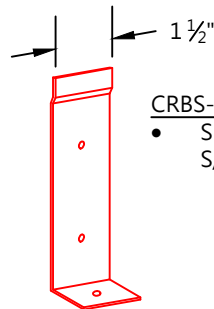


### STANDARD BRACKET OPTIONS:



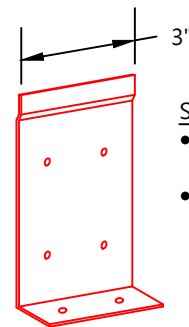
#### CRBE-200 BRACKET

- SECURES CRSP-200 S/S COVER TO WALL
- WINGS ALLOW FOR END PLATE ATTACHMENT



#### CRBS-200 BRACKET

- SECURES CRSP-200 S/S COVER TO WALL



#### SPL-200 SPLICE

- SECURES CRSP-200 S/S COVER TO WALL
- TO BE USED AT SEAMS WHERE CRSP-200 S/S COVERS MEET

CUSTOMER:

PROJECT:

ARCHITECT:

SALES REP:

# CRSP-200