

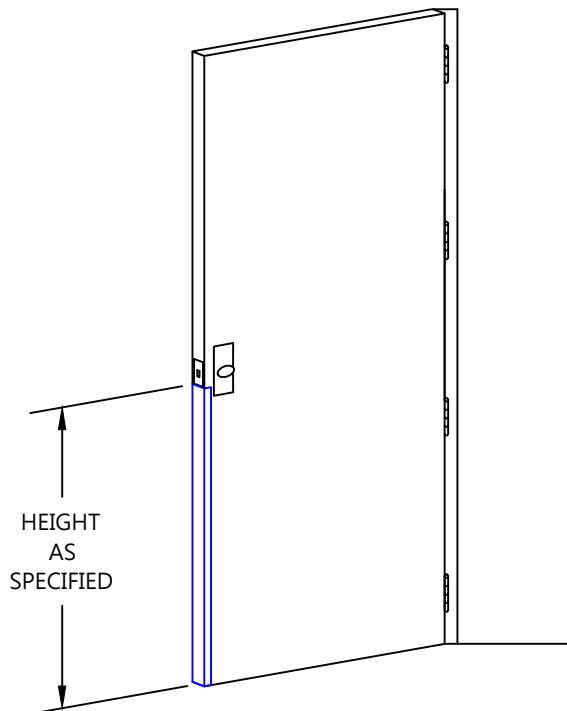
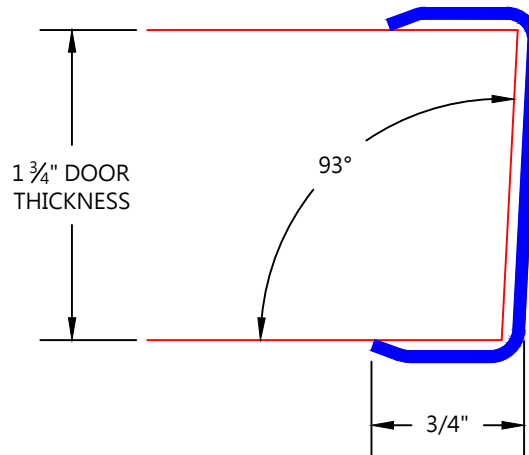
## DES-293 STAINLESS STEEL DOOR EDGE GUARD

### FEATURES:

- TYPE 304 #4 SATIN STAINLESS STEEL
- CUSTOM HEIGHTS AND ANGLES AVAILABLE
- OTHER FINISHES AVAILABLE

### MOUNTING OPTIONS:

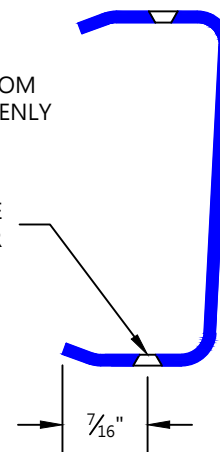
- ADHESIVE:
  - ADH-50 CONSTRUCTION ADHESIVE (SUPPLIED SEPARATELY AS REQUIRED)
- DRILLED:
  - SPECIFY DRILLING REQUIREMENTS WHEN ORDERING



### OPTIONAL DRILLING:

- STANDARD SPACING: 3" FROM EACH END AND SPACED EVENLY NOT TO EXCEED 36" O.C.

COUNTERSUNK HOLE FOR #6 FASTENER



CUSTOMER:

PROJECT:

ARCHITECT:

SALES REP:

DES-293