

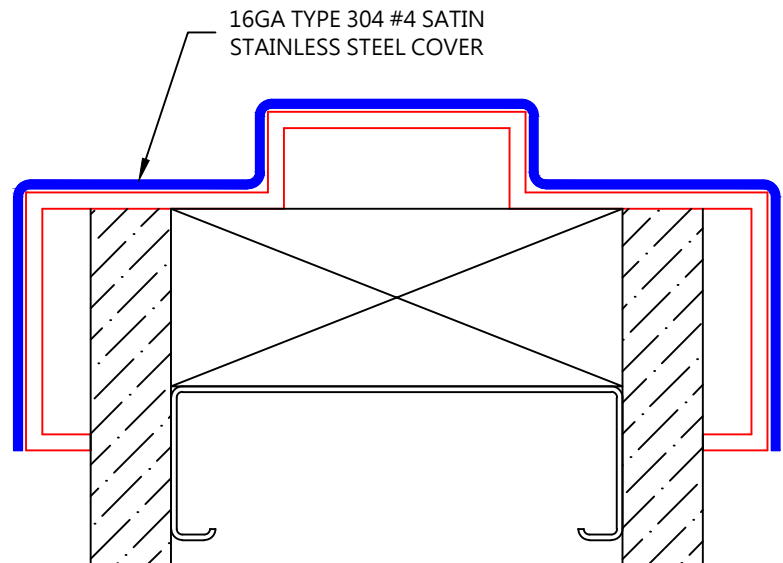
DFC-16 STAINLESS STEEL DOOR FRAME COVER

FEATURES:

- TYPE 304 #4 SATIN STAINLESS STEEL
- FABRICATED TO CUSTOM MEASUREMENTS
- CUT OUTS FOR HINGES AND STRIKES AVAILABLE
- HOSPITAL STOP OPTION AVAILABLE

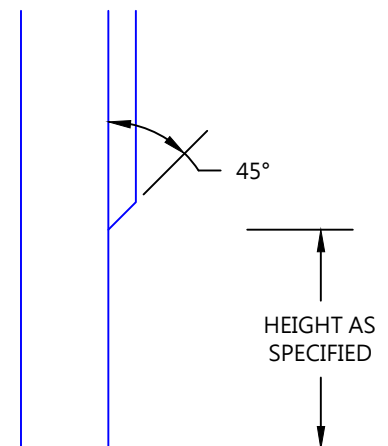
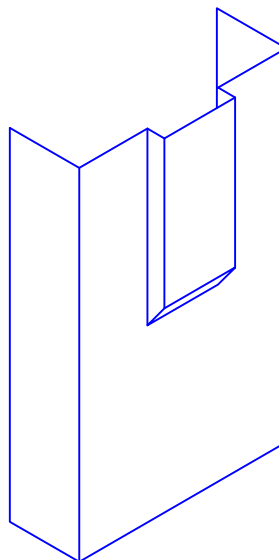
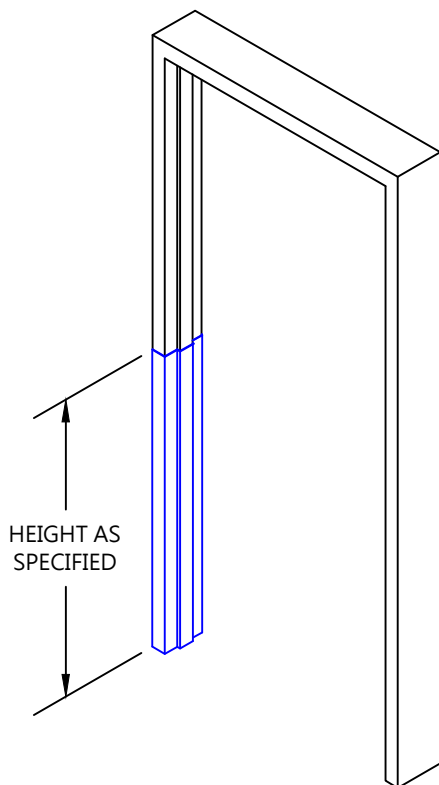
MOUNTING OPTIONS:

- ADHESIVE:
 - ADH-50 CONSTRUCTION ADHESIVE (SUPPLIED SEPARATELY AS REQUIRED)
- DRILLED:
 - SPECIFY DRILLING REQUIREMENTS WHEN ORDERING



OPTIONAL HOSPITAL STOP:

- SPECIFY REQUIREMENTS WHEN ORDERING



CUSTOMER:

PROJECT:

ARCHITECT:

SALES REP:

DFC-16