

ProTek Systems, Inc.

PROTEK SYSTEMS, INC.
1250 WALLACE DR UNIT B
DELRAY BEACH, FL 33444
TELEPHONE: 800-598-2153
FAX: 561-395-4771
SALES@PROTEKMAIL.COM

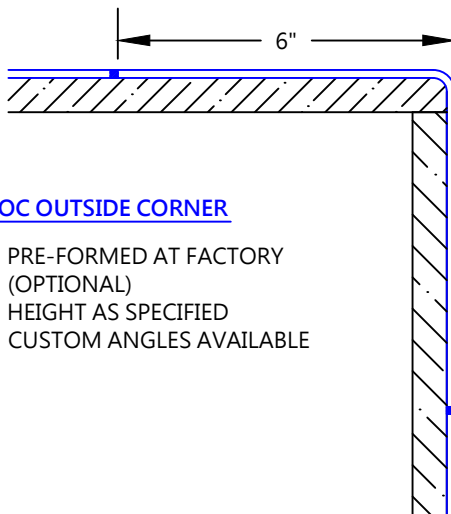
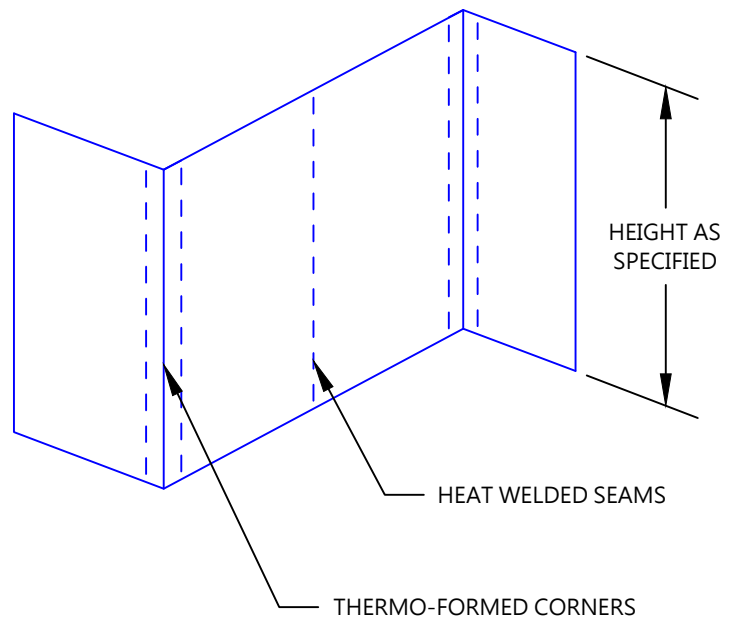
WCHW-80 HYGIENIC VINYL WALL SYSTEM

FEATURES:

- .080" THICK RIGID VINYL
- SMOOTH (GLOSSY) FINISH
- HEAT WELDED SEAMS
- THERMO-FORMED CORNERS
- CLASS (A) FIRE RATING
- STOCK LENGTHS: 4FT X 8FT & 4FT X 10FT SHEETS
- CUSTOM SIZES AVAILABLE (MINIMUMS APPLY)
- STANDARD COLORS: WHITE & BEIGE
- CUSTOM COLORS AND FINISHES AVAILABLE

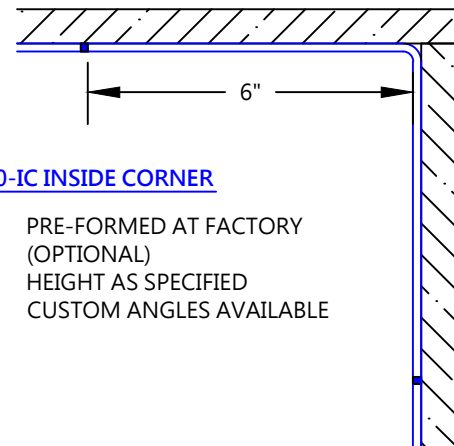
MOUNTING OPTIONS:

- ADHESIVE
 - ADH-30 CONTACT CEMENT
- WELDING ROD
 - HWR-100 PVC WELDING ROD



WCHW-80-OC OUTSIDE CORNER

- PRE-FORMED AT FACTORY (OPTIONAL)
- HEIGHT AS SPECIFIED
- CUSTOM ANGLES AVAILABLE



WCHW-80-IC INSIDE CORNER

- PRE-FORMED AT FACTORY (OPTIONAL)
- HEIGHT AS SPECIFIED
- CUSTOM ANGLES AVAILABLE

CUSTOMER:

PROJECT:

ARCHITECT:

SALES REP:

WCHW-80