

ProTek Systems, Inc.

PROTEK SYSTEMS, INC.
 2799 N.W. 2ND AVE
 BOCA RATON, FL 33431
 TELEPHONE: 800-598-2153
 FAX: 561-395-4771
 SALES@PROTEKMAIL.COM

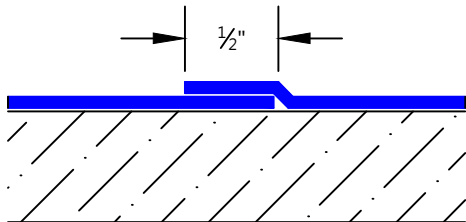
PHOTO WPDA-60 DECORATIVE PHOTO WALL SYSTEM

FEATURES:

- ALLOY 5052-H32 .063" THICK ALUMINUM WITH POWDER COATED PHOTO FINISH
- MAX PRINTABLE SHEET SIZE: 42" X 96"
- CUSTOM HEIGHTS AND ANGLES AVAILABLE
- ANTIMICROBIAL FINISHES AVAILABLE

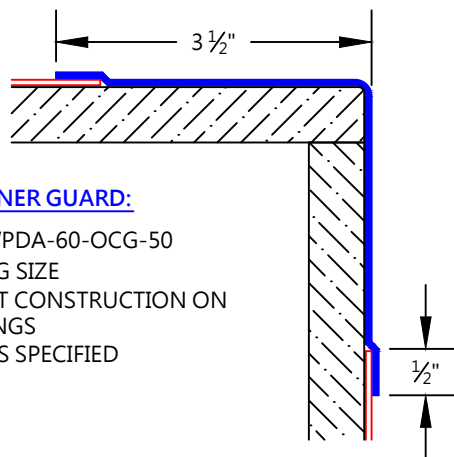
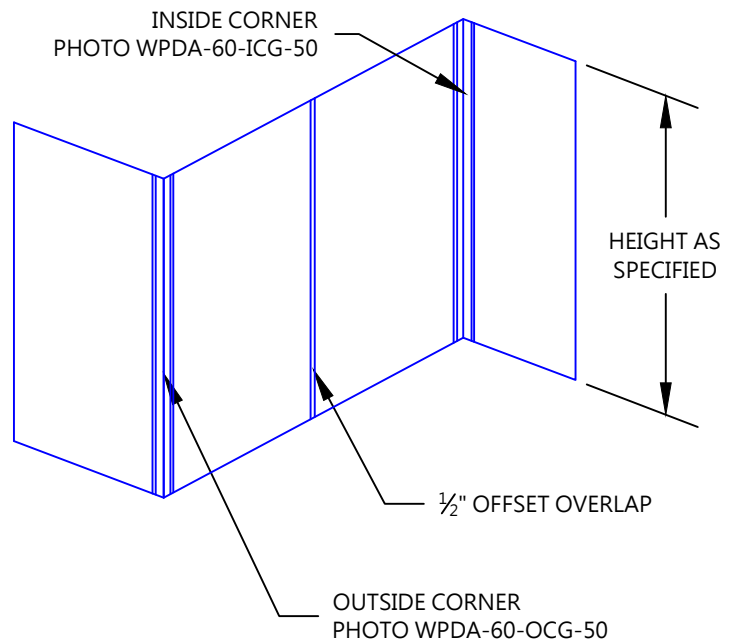
MOUNTING OPTIONS:

- ADHESIVE
 - ADH-50 CONSTRUCTION ADHESIVE (SUPPLIED SEPARATELY AS REQUIRED)
- DRILLED
 - SPECIFY DRILLING REQUIREMENTS WHEN ORDERING



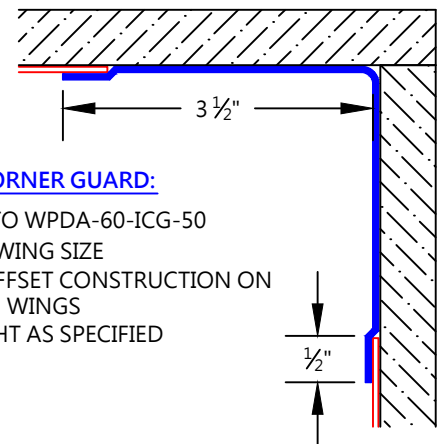
JOINT DETAIL:

- 1/2" OFFSET OVERLAP
- OPTIONAL BUTTED SEAMS



OUTSIDE CORNER GUARD:

- PHOTO WPDA-60-OCG-50
- 3 1/2" WING SIZE
- 1/2" OFFSET CONSTRUCTION ON BOTH WINGS
- HEIGHT AS SPECIFIED



INSIDE CORNER GUARD:

- PHOTO WPDA-60-ICG-50
- 3 1/2" WING SIZE
- 1/2" OFFSET CONSTRUCTION ON BOTH WINGS
- HEIGHT AS SPECIFIED

REV. 10/15/2012

CUSTOMER:	PROJECT:	PHOTO WPDA-60
ARCHITECT:	SALES REP:	