

# ProTek Systems, Inc.

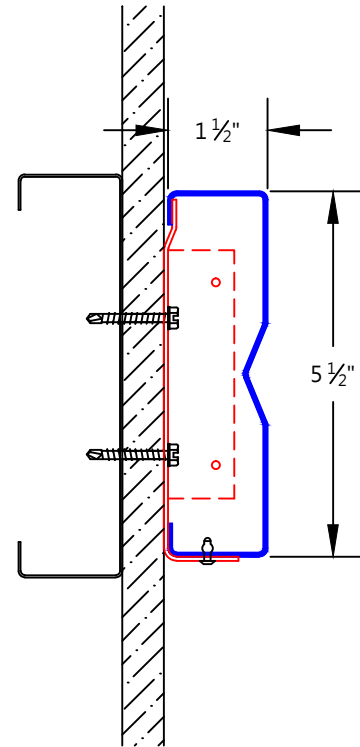
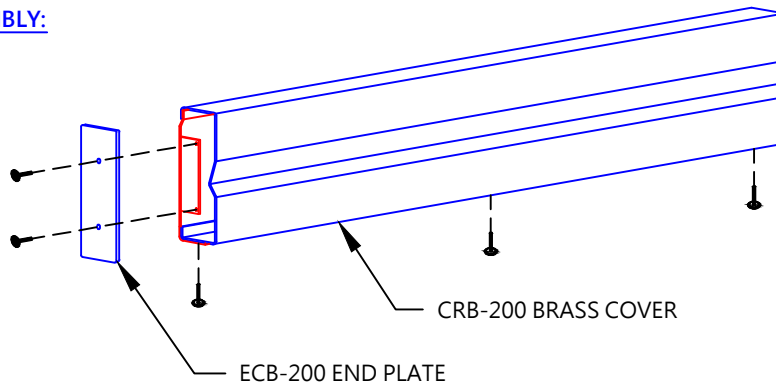
PROTEK SYSTEMS, INC.  
 2799 N.W. 2ND AVE  
 BOCA RATON, FL 33431  
 TELEPHONE: 800-598-2153  
 FAX: 561-395-4771  
 SALES@PROTEKMAIL.COM

## CRB-200 BRASS WALL GUARD

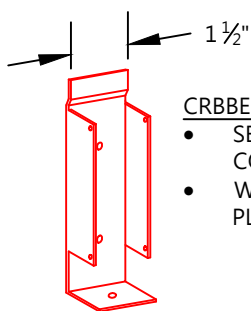
### FEATURES:

- COVER: .063" POLISHED BRASS
- END PLATES: .125" POLISHED BRASS
- BRACKETS: .063" POLISHED BRASS
- STOCK LENGTHS: 8FT OR 10FT
- ALL RUNS TERMINATE WITH END PLATES
- END PLATES FASTEN DIRECTLY TO WALL BRACKETS
- CUSTOM LENGTHS AND HEIGHTS AVAILABLE
- OTHER FINISHES AVAILABLE
- FASTENERS BY OTHERS

### ASSEMBLY:

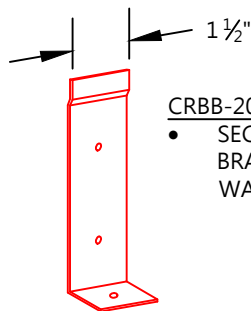


### STANDARD BRACKET OPTIONS:



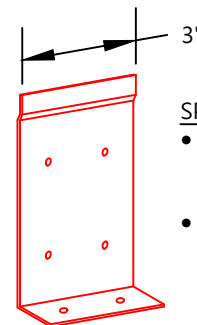
#### CRBBE-200 BRACKET

- SECURES CRB-200 BRASS COVER TO WALL
- WINGS ALLOW FOR END PLATE ATTACHMENT



#### CRBB-200 BRACKET

- SECURES CRB-200 BRASS COVER TO WALL



#### SPL-200 SPLICE

- SECURES CRB-200 BRASS COVER TO WALL
- TO BE USED AT SEAMS WHERE CRB-200 BRASS COVERS MEET

REV. 10/15/2012

CUSTOMER:

PROJECT:

ARCHITECT:

SALES REP:

# CRB-200