

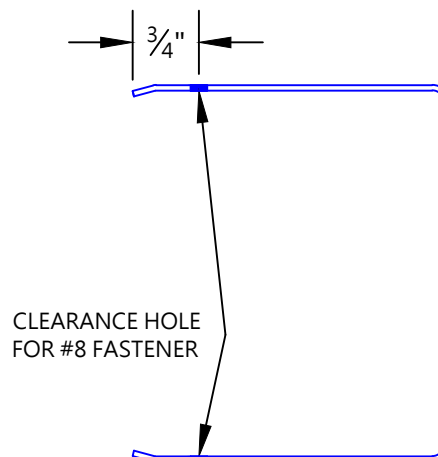
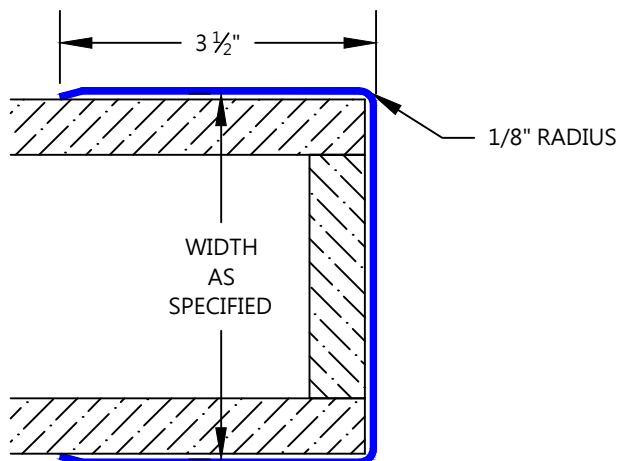
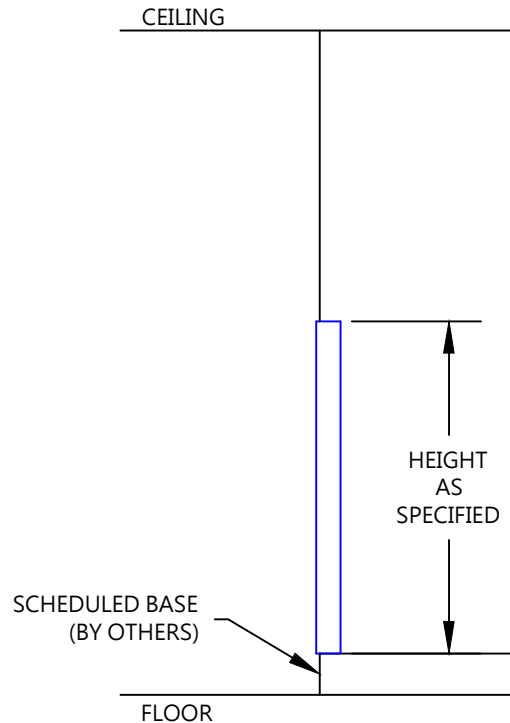
CGC-50-EW COLORED STAINLESS STEEL END WALL GUARD

FEATURES:

- TYPE 304 COLORED STAINLESS STEEL
- MANUFACTURER'S STANDARD STAINLESS STEEL COLORS
- STOCK LENGTHS: 4FT, 8FT, OR 10FT
- CUSTOM WING SIZES AVAILABLE
- CUSTOM HEIGHTS AND ANGLES AVAILABLE
- OTHER FINISHES AVAILABLE

MOUNTING OPTIONS:

- ADHESIVE:
 - ADH-50 CONSTRUCTION ADHESIVE (SUPPLIED SEPARATELY AS REQUIRED)
- DRILLED:
 - CLEARANCE HOLES FOR #8 FASTENER
 ABSS-11 #8 X 1 1/2" OVAL HEAD SHEET METAL SCREW AND ABCW-132 STAINLESS CUP WASHER (FASTENERS BY OTHERS)
 - STANDARD SPACING: 3" FROM EACH END AND SPACED EVENLY NOT TO EXCEED 36" O.C.



REV. 10/15/2012

CUSTOMER:	PROJECT:	CGC-50-EW
ARCHITECT:	SALES REP:	