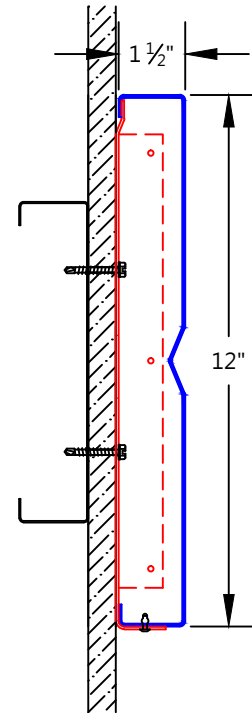
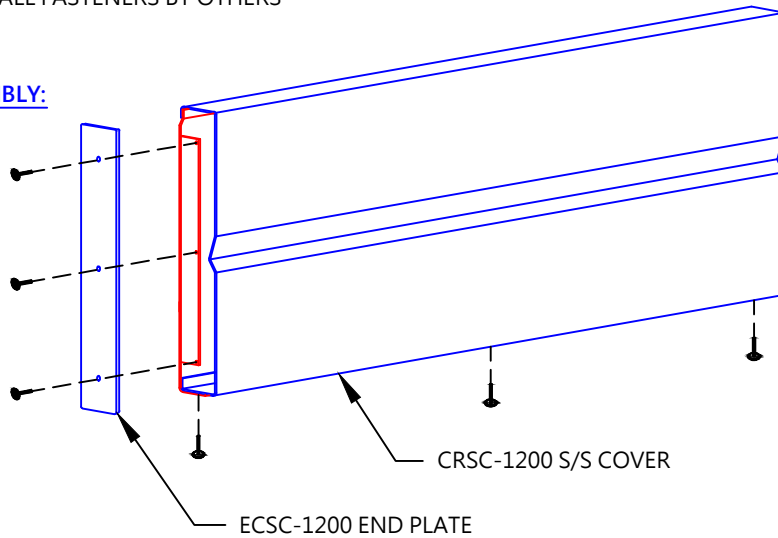


## CRSC-1200 COLORED STAINLESS STEEL WALL GUARD

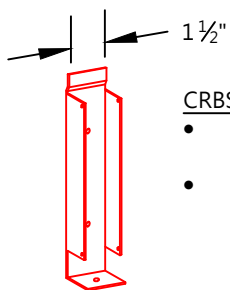
### FEATURES:

- COVER: TYPE 304 COLORED STAINLESS STEEL
- MANUFACTURER'S STANDARD STAINLESS STEEL COLORS
- END PLATES: TYPE 304 COLORED STAINLESS STEEL
- BRACKETS: 16 GAUGE TYPE 304 #4 SATIN STAINLESS STEEL
- STOCK LENGTHS: 8FT OR 10FT
- ALL RUNS TERMINATE WITH END PLATES
- END PLATES FASTEN DIRECTLY TO WALL BRACKETS
- CUSTOM LENGTHS AND HEIGHTS AVAILABLE
- OTHER FINISHES AVAILABLE
- WALL FASTENERS BY OTHERS

### ASSEMBLY:

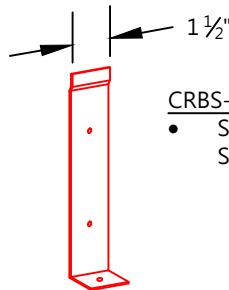


### STANDARD BRACKET OPTIONS:



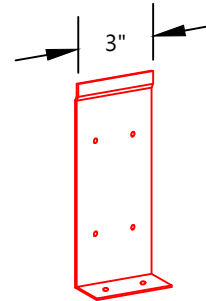
#### CRBSE-1200 BRACKET

- SECURES CRSC-1200 S/S COVER TO WALL
- WINGS ALLOW FOR END PLATE ATTACHMENT



#### CRBS-1200 BRACKET

- SECURES CRSC-1200 S/S COVER TO WALL



#### SPL-1200 SPLICE

- SECURES CRSC-1200 S/S COVER TO WALL
- TO BE USED AT SEAMS WHERE CRSC-1200 S/S COVERS MEET

REV. 10/15/2012

CUSTOMER:

PROJECT:

ARCHITECT:

SALES REP:

# CRSC-1200