

ProTek Systems, Inc.

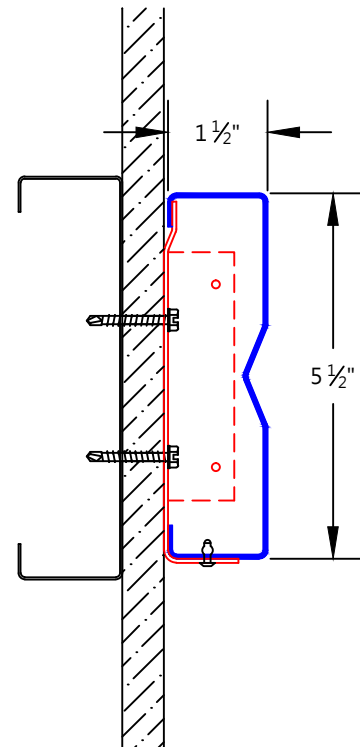
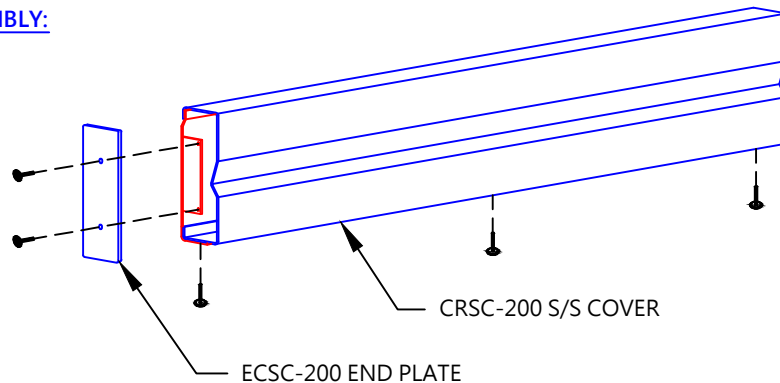
PROTEK SYSTEMS, INC.
 2799 N.W. 2ND AVE
 BOCA RATON, FL 33431
 TELEPHONE: 800-598-2153
 FAX: 561-395-4771
 SALES@PROTEKMAIL.COM

CRSC-200 COLORED STAINLESS STEEL WALL GUARD

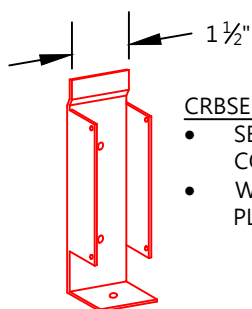
FEATURES:

- COVER: TYPE 304 COLORED STAINLESS STEEL
- MANUFACTURER'S STANDARD STAINLESS STEEL COLORS
- END PLATES: TYPE 304 COLORED STAINLESS STEEL
- BRACKETS: 16 GAUGE TYPE 304 #4 SATIN STAINLESS STEEL
- STOCK LENGTHS: 8FT OR 10FT
- ALL RUNS TERMINATE WITH END PLATES
- END PLATES FASTEN DIRECTLY TO WALL BRACKETS
- CUSTOM LENGTHS AND HEIGHTS AVAILABLE
- OTHER FINISHES AVAILABLE
- WALL FASTENERS BY OTHERS

ASSEMBLY:

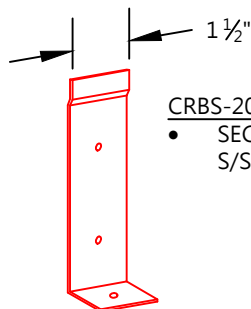


STANDARD BRACKET OPTIONS:



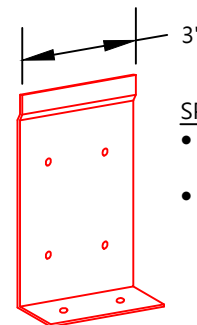
CRBSE-200 BRACKET

- SECURES CRSC-200 S/S COVER TO WALL
- WINGS ALLOW FOR END PLATE ATTACHMENT



CRBS-200 BRACKET

- SECURES CRSC-200 S/S COVER TO WALL



SPL-200 SPLICE

- SECURES CRSC-200 S/S COVER TO WALL
- TO BE USED AT SEAMS WHERE CRSC-200 S/S COVERS MEET

REV. 10/15/2012

CUSTOMER:

PROJECT:

ARCHITECT:

SALES REP:

CRSC-200