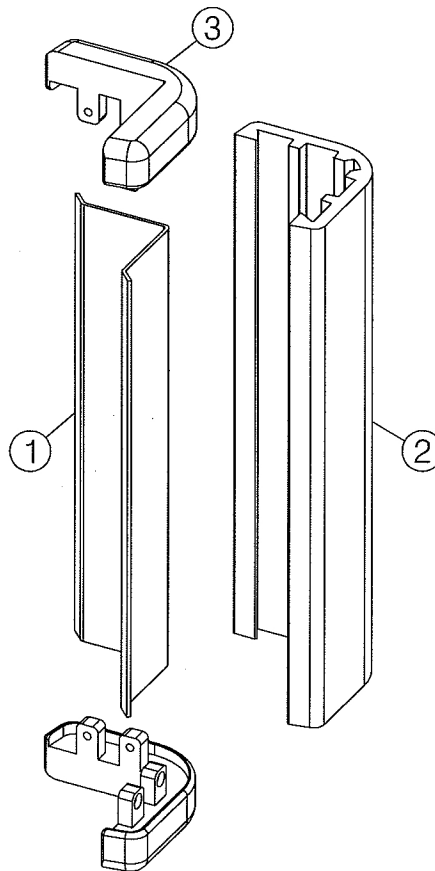
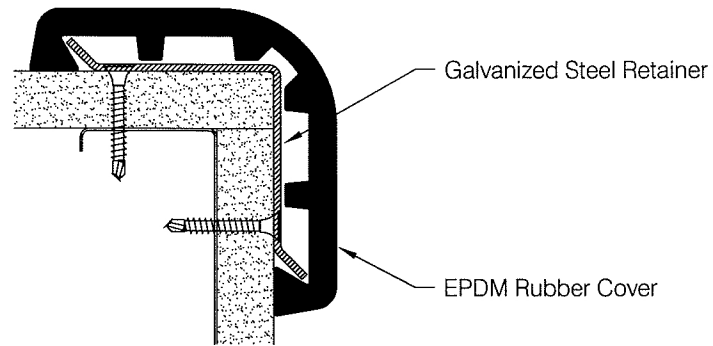


CG-4 Surface Mounted Corner Guard



Component Part Numbers:

- 1.) CGS-4 Galvanized steel retainer
- 2.) CGR-4 EPDM rubber cover
- 3.) TC-4 Polyurethane closure cap

CG-4 Surface Mounted**Corner Guard Installation Instructions**

Step 1: This series of corner guards is available with molded closure caps. While the installation of a cap at each end is considered standard these corner guards may also be installed with no caps or with a cap at either end, see **fig 1**.

Note: Both the galvanized steel retainer and snap on cover are pre-cut at the factory and require no further trimming. Refer to the **Cutting Adjustment Diagrams and Schedule** if it is necessary to alter the corner guard length. All cuts must be square and deburred.

Important: Store material in a clean dry place where the temperature is maintained above 50°F (10°C). Walls and rooms should be maintained at a minimum of 65°F (18°C) for at least 48 hours prior to installation. Acclimate materials to normal building conditions for at least 24 hours before cutting and installing.

Step 2: If installing on gypsum wall with stud backing proceed to **step 3**. If installing on masonry pre-drill clearance holes in galvanized steel retainer for hardware listed below using a #15 (.180") bit for #8 fastener. Locate mounting holes at closure caps and along the retainer length not to exceed 32" on center. Locate first hole in retainer 1 1/2" in from end and 1/2" in from vertical edge, see **fig 2a** and **2b**.

Step 3: Position the galvanized steel retainer according to the number of closure caps to be used.
When using top and bottom caps or top cap only: Locate the steel 1 1/2" below the desired overall height of the installed corner guard inclusive of closure caps, see **fig 3a**.

When using a bottom cap only: Locate the steel 1 1/2" above the desired overall bottom of the installed corner guard inclusive of closure cap, see **fig 3b**.

When using no caps: Locate the steel 1 1/2" up from the desired overall bottom of the installed corner guard, see **fig 3c**.

Caution: The steel retainer for all stock length corner guards is pre-cut to accommodate two closure caps regardless of whether or not they are actually used. As a result the steel may be supplied at a length shorter than the snap on cover. To ensure the correct mating of closure caps with steel retainer it is necessary to identify and follow the appropriate closure cap installation condition above.

Important: Always make sure there is adequate clearance between closure caps and adjacent construction. If no bottom cap is used the corner guard must contact a surface that will prevent the snap on cover from sliding out of position.

Step 4: Installation of CG-4 requires a 1/8" relief at wall corner to accommodate the inside radius of the steel retainer, see **fig 4**.

Step 5: Mount steel retainer to wall with the appropriate hardware according to wall construction. See **step 6** for fastening at closure caps.

Drywall Installation: Locate mounting holes at closure caps and along the retainer not to exceed 32" on center. Begin 1 1/2" from end and 1/2" in from vertical edge, see **fig 2a** and **2b**. If it is necessary to install fasteners in locations where there is no metal backing or stud use caps and pre-drilled steel as a template to mark and drill wall for plastic Alligator® insert in accordance with instructions provided with hardware.

Masonry Installation: Using the pre-drilled steel as a template, mark and drill the wall at all pre-drilled holes to accept hardware listed below.

Suggested hardware diameter and type :

- Drywall with studs : #8 Drill point sheet metal or drywall screw.
- Drywall without stud or backing : Plastic Alligator® insert with #8 sheet metal or drywall screw. Drill in accordance with instructions provided with hardware.
- Masonry : Plastic Alligator® insert with #8 sheet metal or drywall screw. Drill in accordance with instructions provided with hardware.

Suggested hardware head style :

- To attach closure caps : Bugle head (drywall screw) or flat head
- To secure steel away from closure caps : Bugle head (drywall screw) or pan head

Step 6: Fasten closure caps in place using bugle head or flat head hardware selected in **step 5**. Hold cap firmly in place against end of steel while tightening.

Step 7: Snap extruded cover in place

CG-4 Surface Mounted Corner Guard Installation Instructions

2799 N.W. 2nd Ave. Boca Raton, FL 33431 Telephone: 800-598-2153 sales@protekmail.com

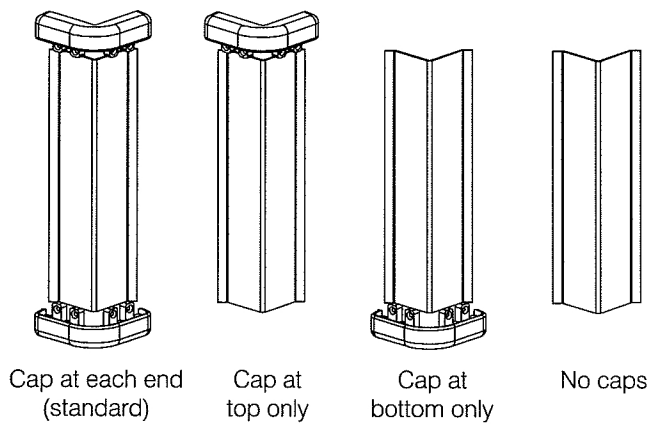


fig 1

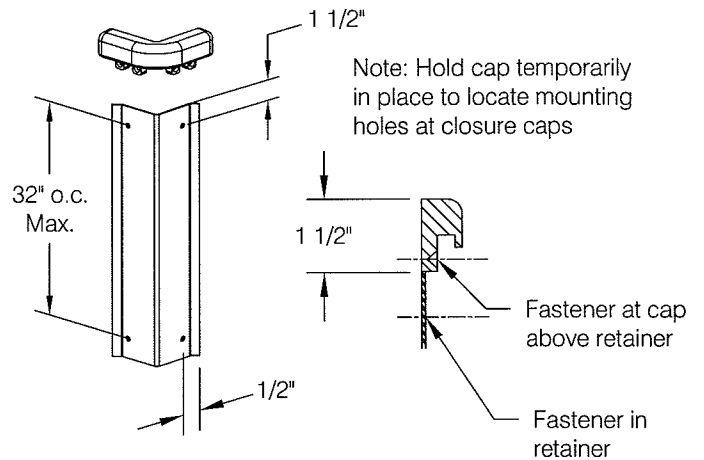


fig 2a

fig 2b

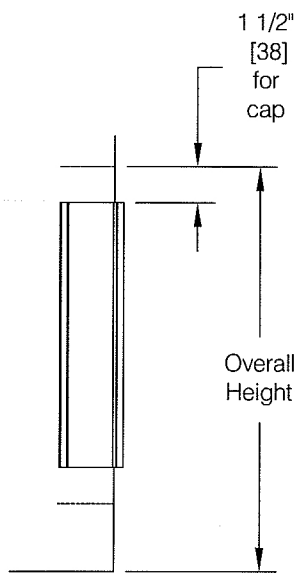


fig 3a

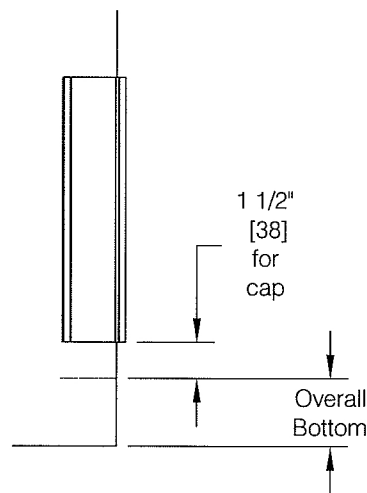


fig 3b

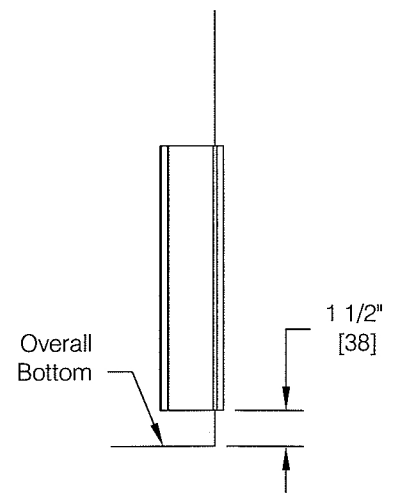


fig 3c

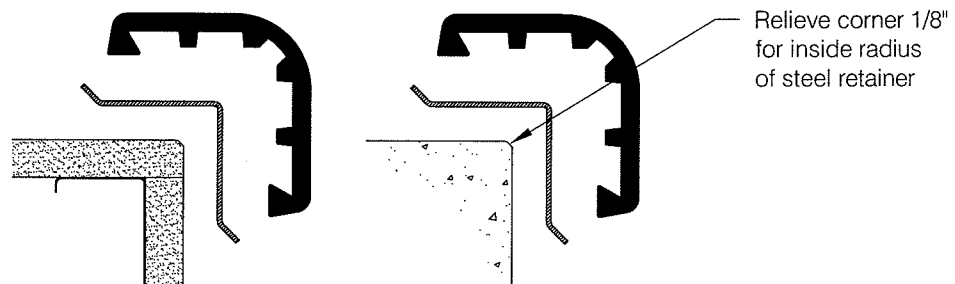
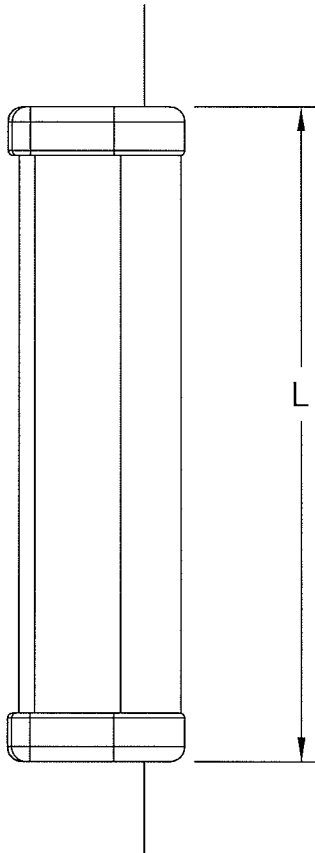


fig 4

Cutting Adjustment Diagrams and Schedule



Steel Retainer
Stock Length Corner Guards

L - 3"

Steel Retainer
Custom Length Corner Guards

Two Caps One Cap* No Caps*

L - 3"	L - 1 1/2"	L - 0"
--------	------------	--------

* Cut length of steel retainer for non-standard lengths may be less than the cover length for one or no closure cap conditions. Retainer length at L-3" is acceptable.

EPDM Cover

Two Caps One Cap No Caps

L - 1 1/2"	L - 3/4"	L - 0"
------------	----------	--------

Minimum Layout Configurations

3" minimum clearance
to install snap on cover

